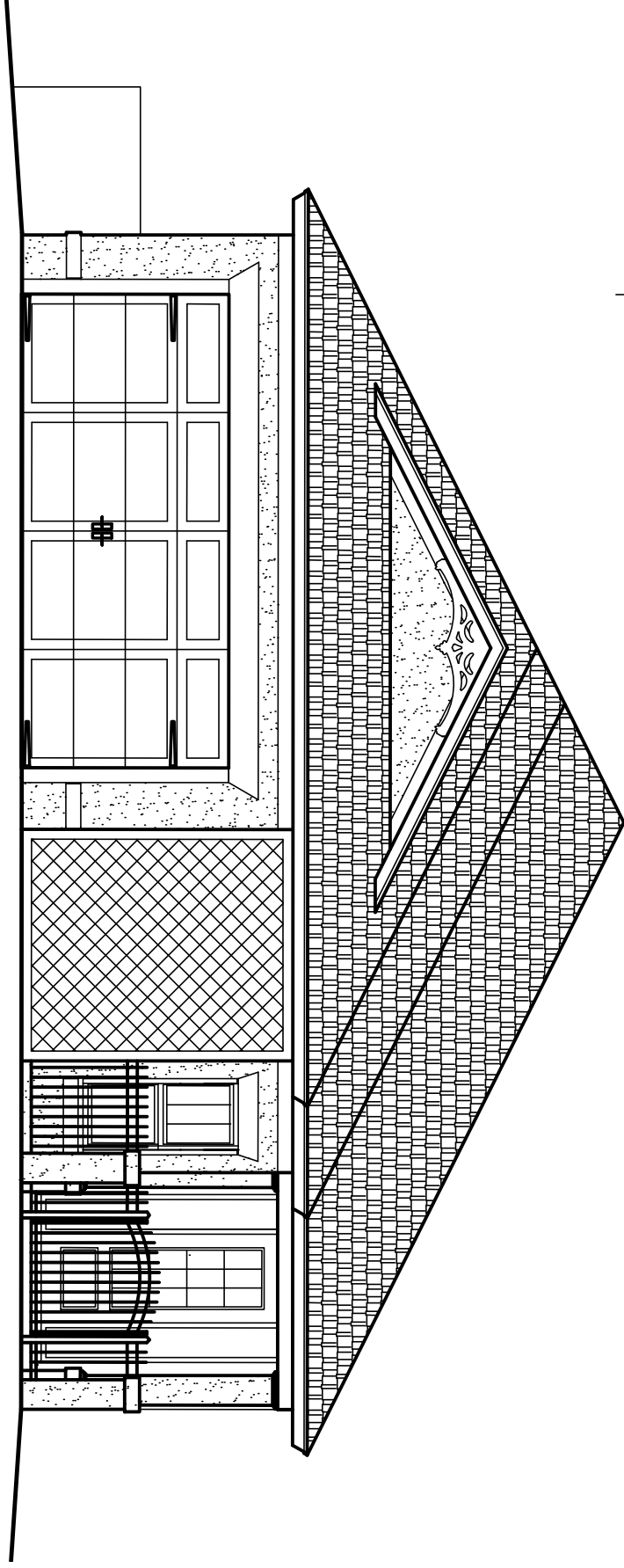


ASHFORD HARBOR ELEVATION



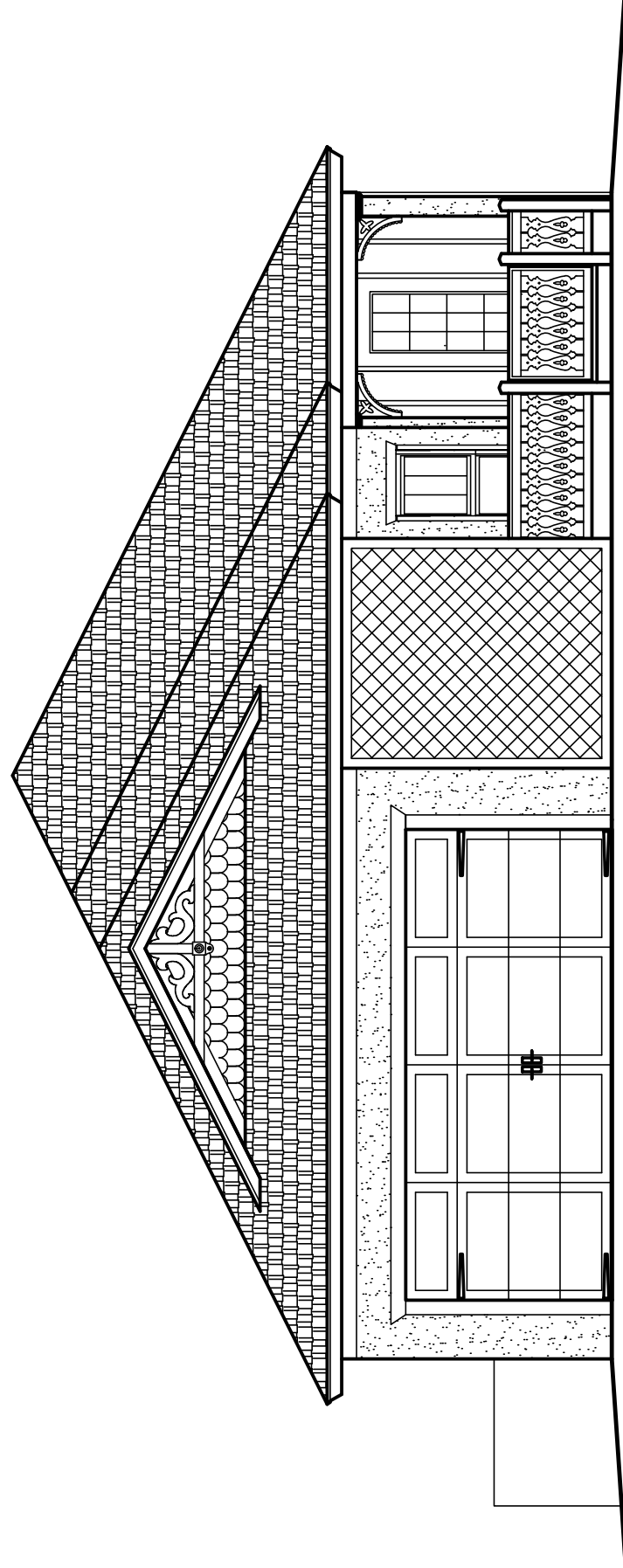
COPY RIGHT © 2010 MONARCH HOMES

Pages of this document and their contents are the sole property of MONARCH HOMES released only for the specific project noted here. Any reproductions or modifications of these documents without the consent of MONARCH HOMES is prohibited by law. Disclaimer: Dimensions are subject to minor field variations. Options purchased must be specified in the agreement of sale.



1275 SOUTH PATRICK DRIVE, SUITE K,
SATELLITE BEACH, FLORIDA 32937
(321) 777-2701

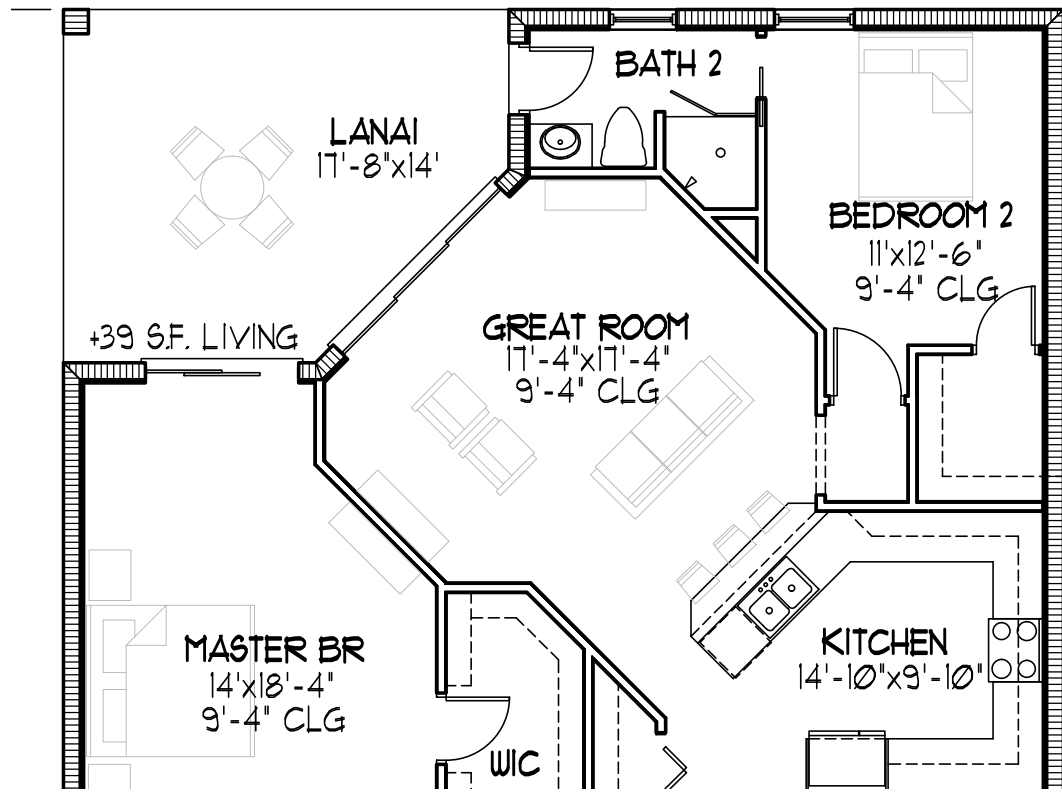
THE MEGAN MODEL



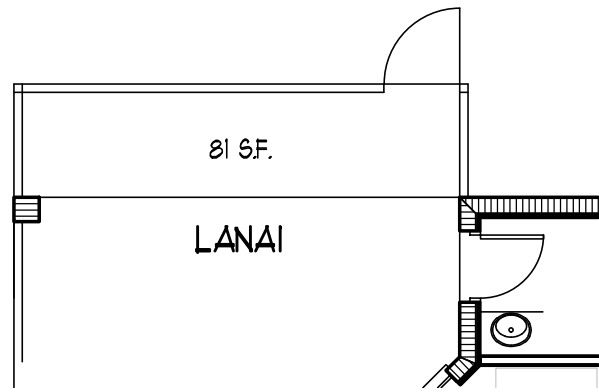
CASHEL VILLAGE ELEVATION



1275 SOUTH PATRICK DRIVE, SUITE K,
 SATELLITE BEACH, FLORIDA 32937
 (321) 777-2701



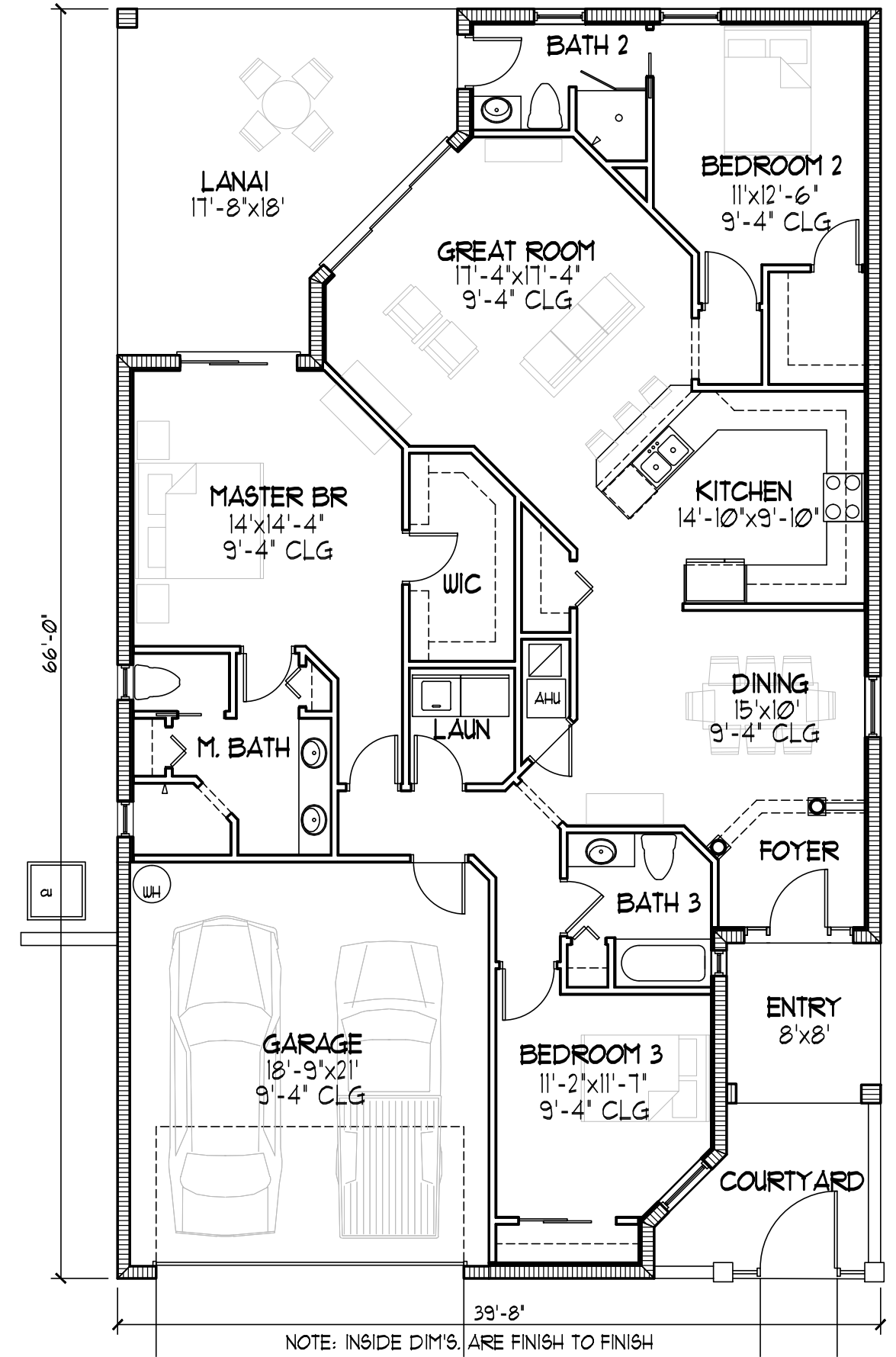
MASTER BEDROOM FLEX OPTION



SCREEN ENCLOSURE FLEX OPTION

TABULATIONS

LIVING AREA	1719 SQ.FT.
GARAGE	425 SQ.FT.
LANAI	258 SQ.FT.
COURTYARD	90 SQ.FT.
ENTRY	65 SQ.FT.
TOTAL	2617 SQ.FT.



NOTE: INSIDE DIM'S. ARE FINISH TO FINISH
MEGAN 3/3/2 BASE PLAN

COPY RIGHT © 2013 MONARCH HOMES. Released only for the specific project noted here.
 Plans of this size and their contents are the sole property of MONARCH HOMES. Any reproductions or modifications of these documents without the consent of MONARCH HOMES is prohibited by law.
 Disclaimer: Dimensions are subject to minor field variations. Options purchased must be specified in the agreement of sale.