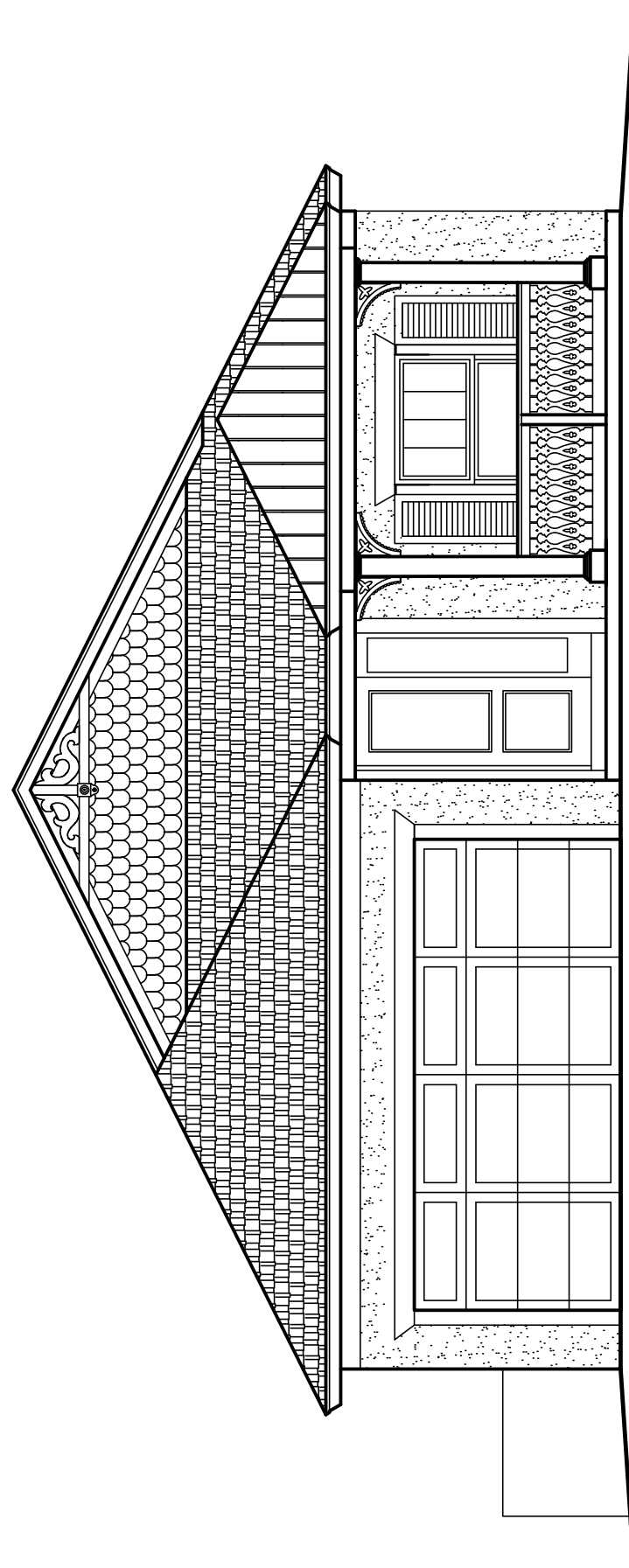
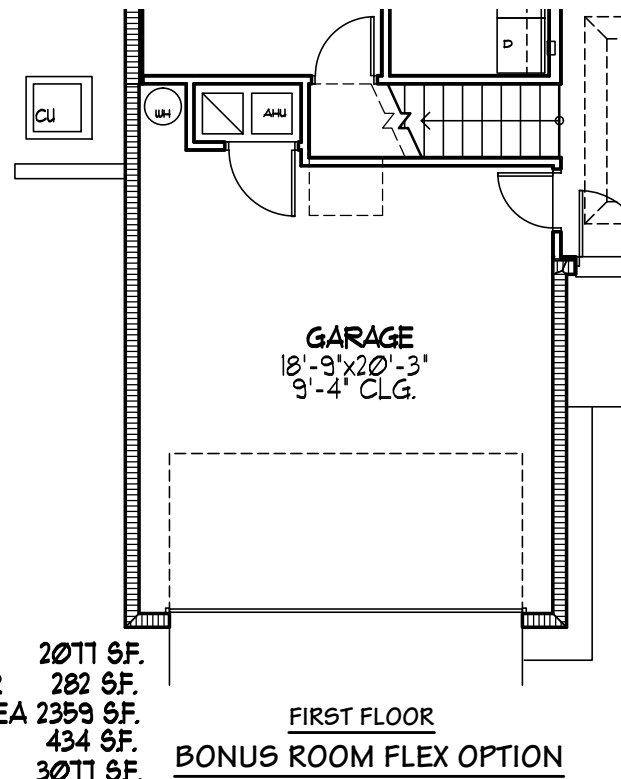
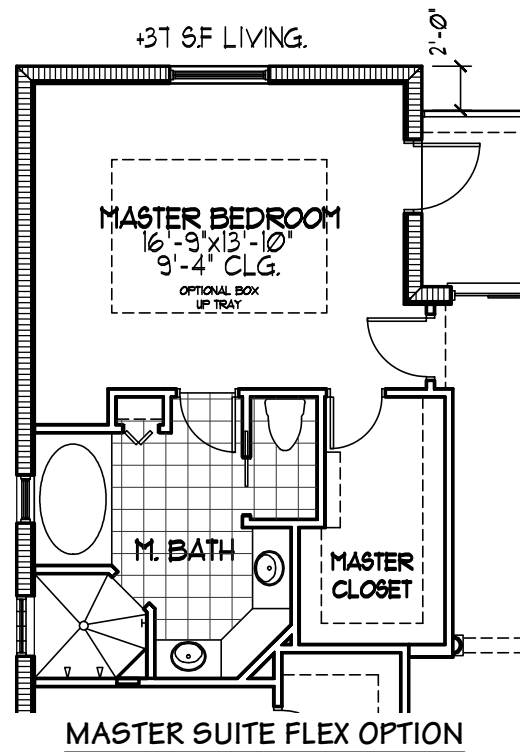
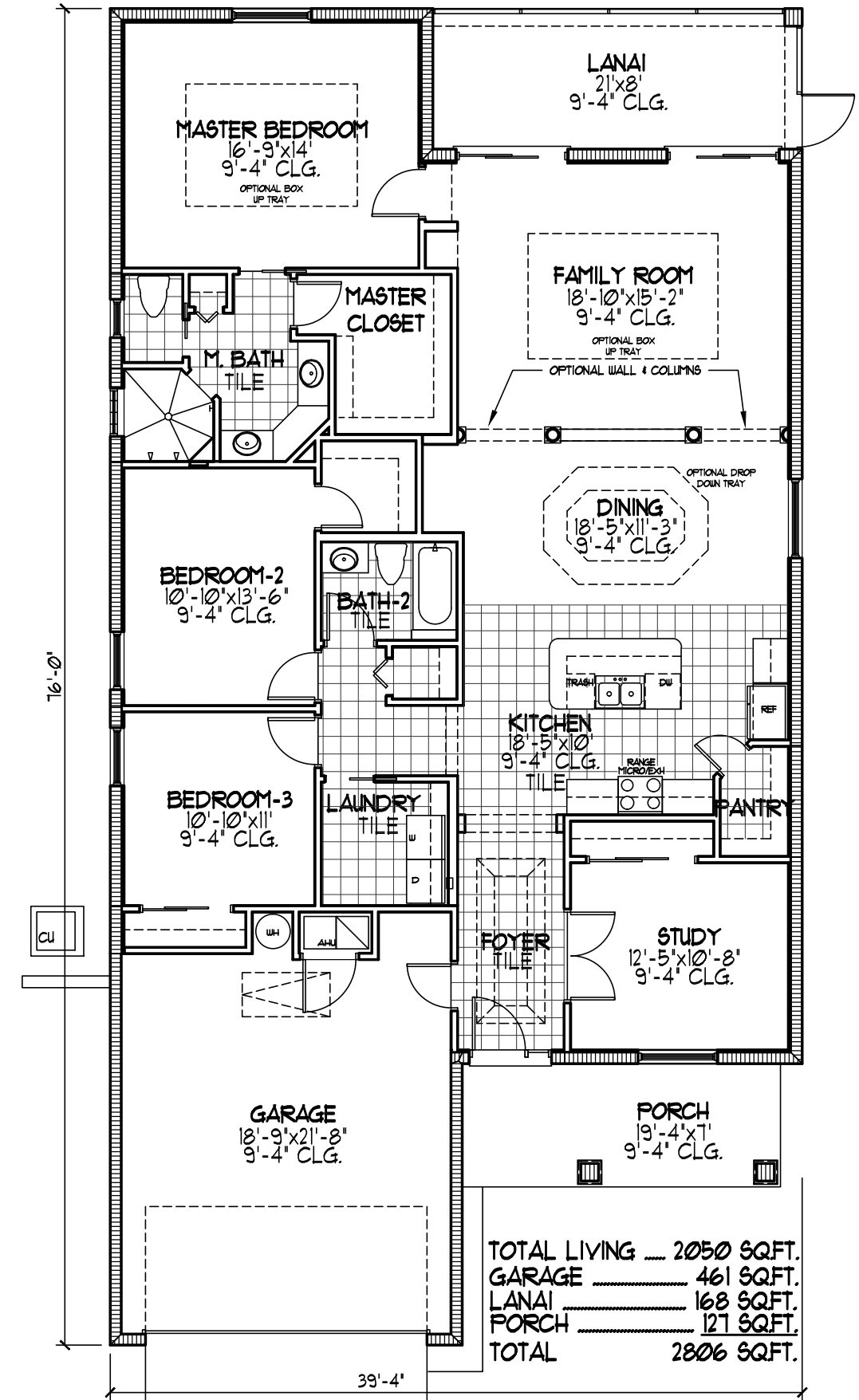
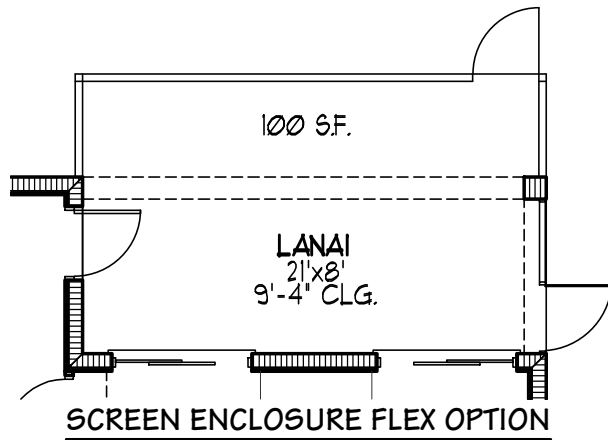
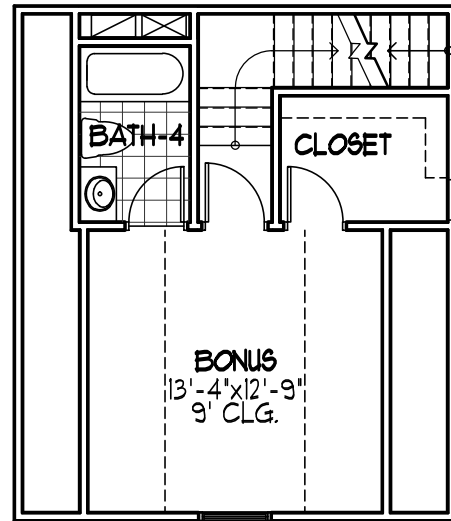
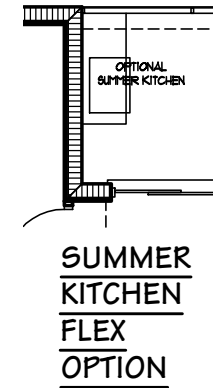
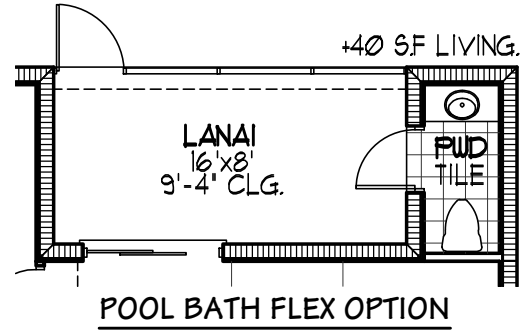
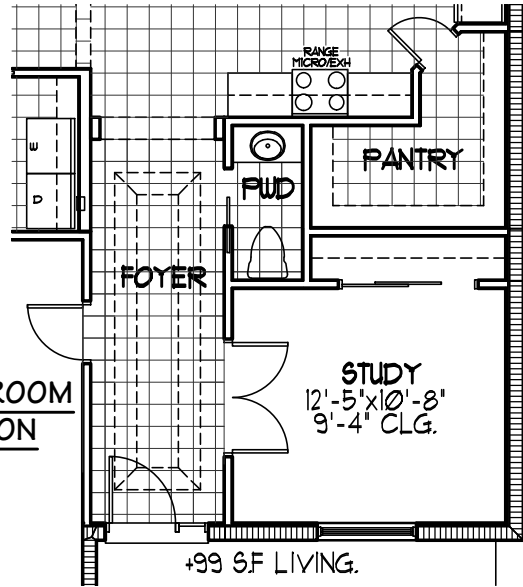




**THE BAILEY**  
CASHEL VILLAGE ELEVATION

321-806-3948  
[www.MonarchHomesofBrevard.com](http://www.MonarchHomesofBrevard.com)





1st FLOOR 2071 SF.  
 2nd FLOOR 282 SF.  
 LIVING AREA 2359 SF.  
 GARAGE 434 SF.  
 TOTAL 3077 SF.

BONUS ROOM FLEX OPTION

REV 10/24/14

TOTAL LIVING ..... 2050 SQFT.  
 GARAGE ..... 461 SQFT.  
 LANAI ..... 168 SQFT.  
 PORCH ..... 127 SQFT.  
 TOTAL ..... 2806 SQFT.

BAILEY 4/2/2

BASE PLAN

NOTE: INSIDE DIM'S. ARE FINISH TO FINISH

COPY RIGHT © 2014 MONARCH HOMES OF BREVARD. All rights reserved. MONARCH HOMES OF BREVARD is the sole property of MONARCH HOMES OF BREVARD. Any reproduction or modification of these documents without the consent of MONARCH HOMES OF BREVARD is prohibited by law. Dimensions are subject to minor field variations. Options purchased must be specified in the agreement of sale.